

ELE-MART
ELE-MART CO., LTD.



HOME ELEVATOR ลิฟต์บ้าน
PASSENGER ELEVATOR ลิฟต์โดยสาร



PROFESSIONAL QUALITY, REFLECT THE VALUE OF SERVICE,
HOSTED THE CLASSIC & LUXURY ELEVATORS

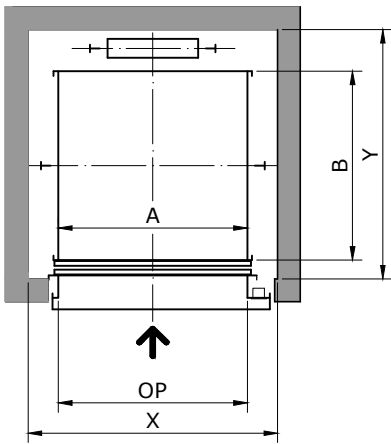


DUMBWAITER (TABLE TYPE)

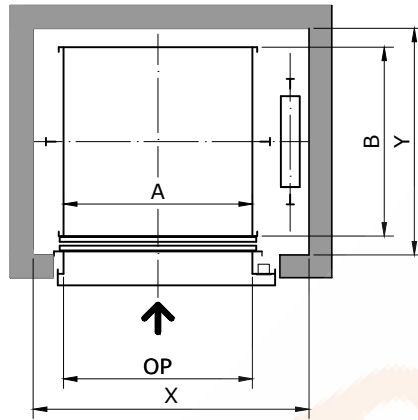
Speed 24 m/min

LAYOUT

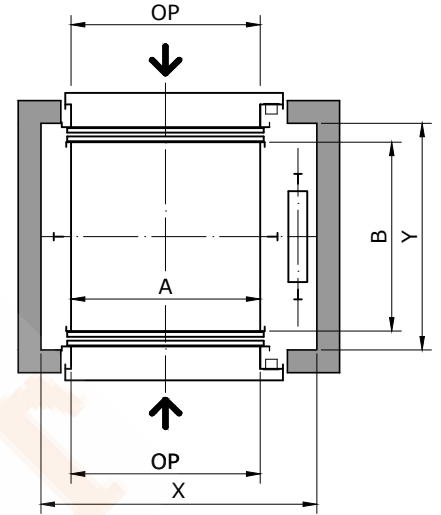
Hoistway Plan



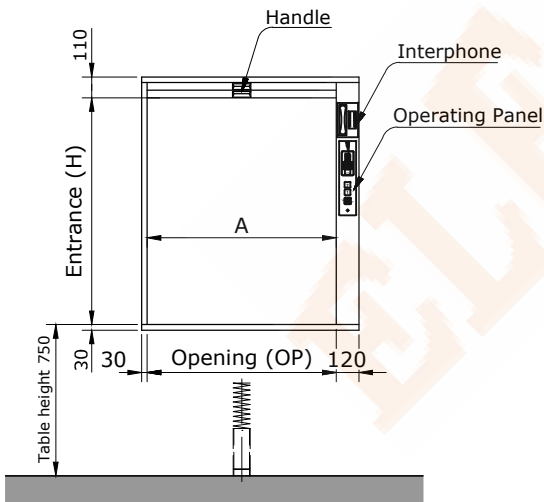
Model : T-1
(Single Entrance)



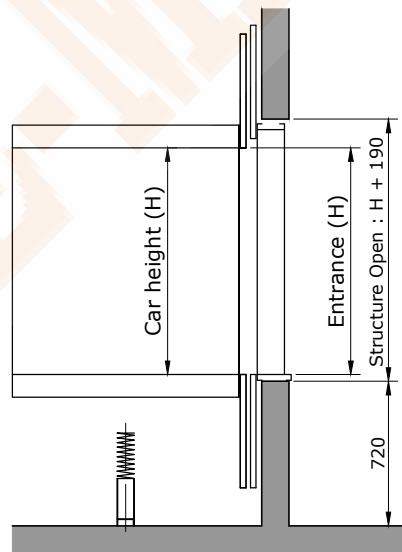
Model : T-2
(Single Entrance)



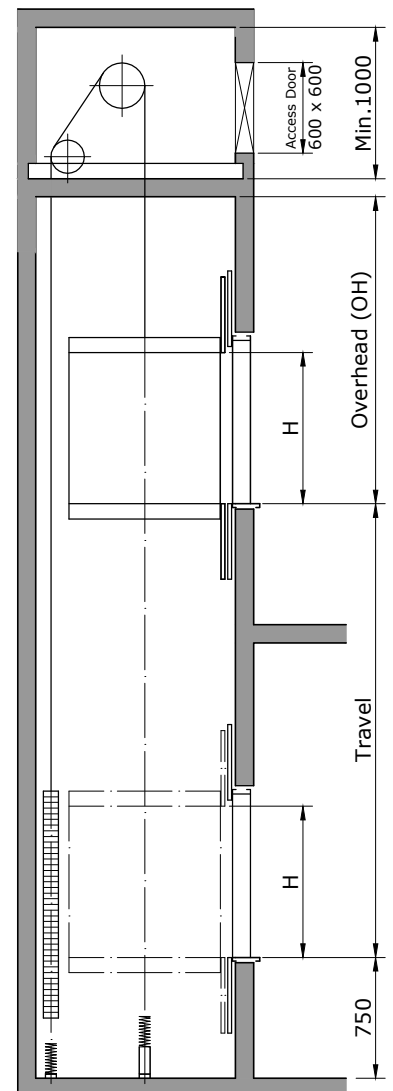
Model : T-3
(Double Entrance)



Entrance Front View



Entrance Side View



Hoistway Section

Standard Dimensions

(Unit : mm)

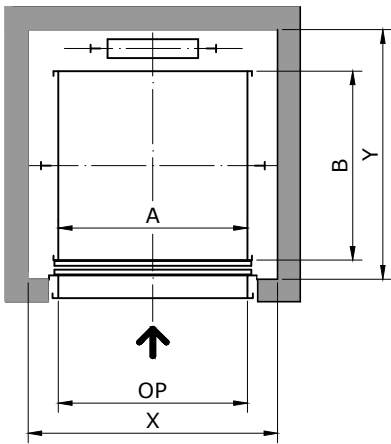
Model	Type	Load (kg) Capacity	Opening (OP)	Car Inside (A x B x H)	Hoistway (X x Y)	Overhead (OH)
DWT-50-BI	T-1	50	600	600 x 600 x 750	930 x 920	1475
DWT-100-BI		100	750	750 x 750 x 900	1080 x 1070	1700
DWT-200-BI		200	1000	1000 x 1000 x 1200	1330 x 1320	2150
DWT-50-BI	T-2	50	600	600 x 600 x 750	1060 x 800	1475
DWT-100-BI		100	750	750 x 750 x 900	1210 x 950	1700
DWT-200-BI		200	1000	1000 x 1000 x 1200	1460 x 1200	2150
DWT-50-BI	T-3	50	600	600 x 600 x 750	1060 x 830	1475
DWT-100-BI		100	750	750 x 750 x 900	1210 x 980	1700
DWT-200-BI		200	1000	1000 x 1000 x 1200	1460 x 1230	2150

DUMBWAITER (FLOOR TYPE)

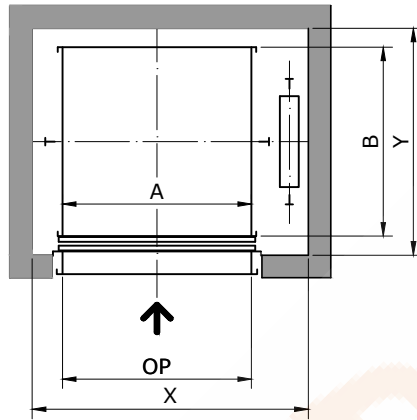
LAYOUT

Speed 24 m/min

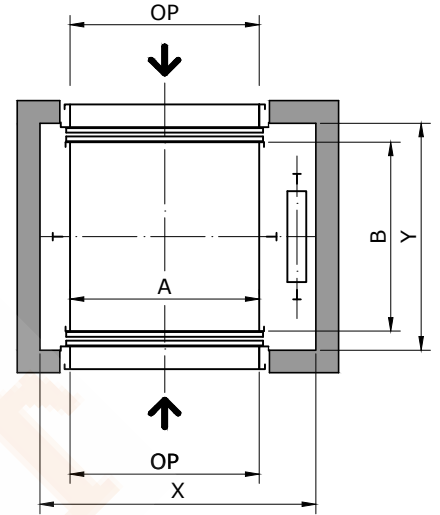
Hoistway Plan



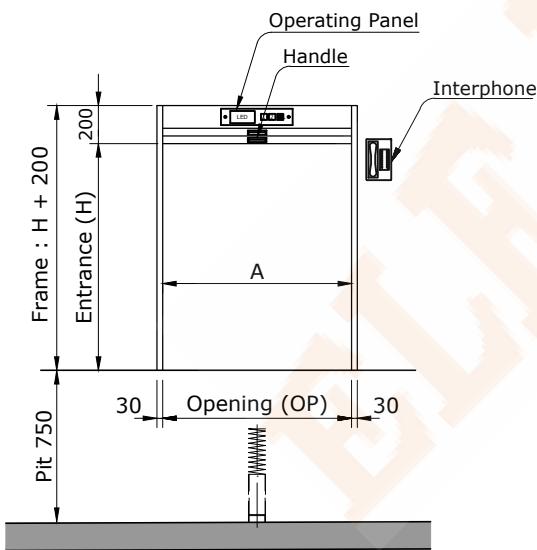
Model : F-1
(Single Entrance)



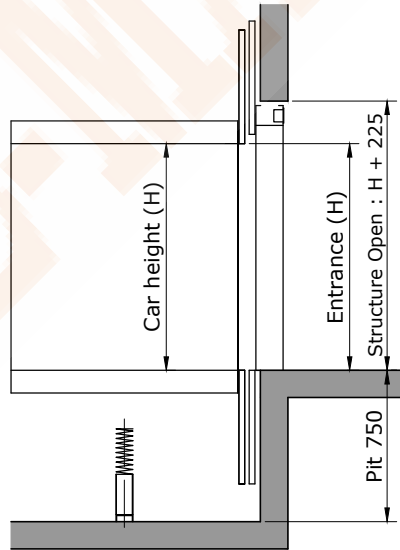
Model : F-2
(Single Entrance)



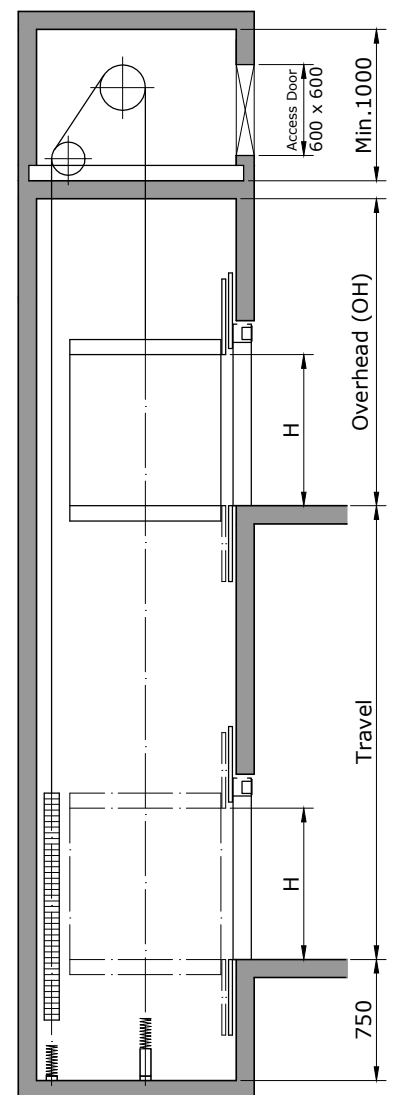
Model : F-3
(Double Entrance)



Entrance Front View



Entrance Side View



Hoistway Section

Standard Dimensions

(Unit : mm)

Model	Type	Load (kg) Capacity	Opening (OP)	Car Inside (A x B x H)	Hoistway (X x Y)	Overhead (OH)
DWF-100-BI	F-1	100	750	750 x 750 x 900	1070 x 1070	1700
DWF-200-BI		200				
DWF-300-BI		300				
DWF-400-BI		400				
DWF-100-BI	F-2	100	750	750 x 750 x 900	1210 x 950	1700
DWF-200-BI		200				
DWF-300-BI		300				
DWF-400-BI		400				
DWF-100-BI	F-3	100	750	750 x 750 x 900	1210 x 980	1700
DWF-200-BI		200				
DWF-300-BI		300				
DWF-400-BI		400				